



Colasoft Capsa Datasheet

Colasoft Co., Ltd

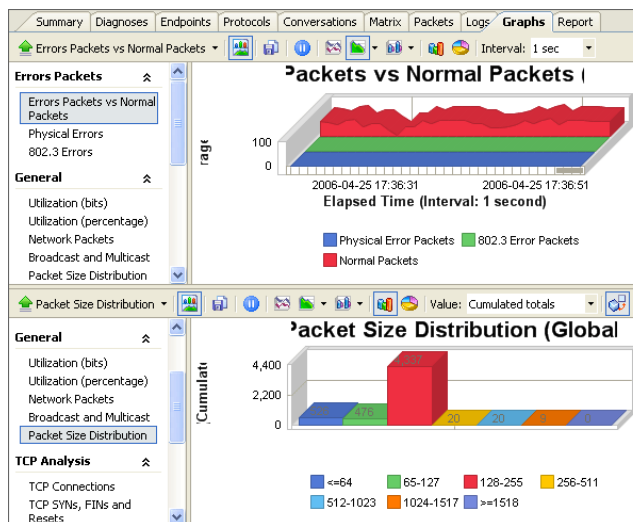
Floor 10, Building 1, South Chengdu Hi-Tech Plaza,
3# West Fucheng Avenue, Hi-Tech Zone,
Chengdu 610041
P.R. China

Tel: +1 888-467-2634 (USA)
+86 28-8512-0922 (China)
Fax: +86 28-8512-0911

www.colasoft.com

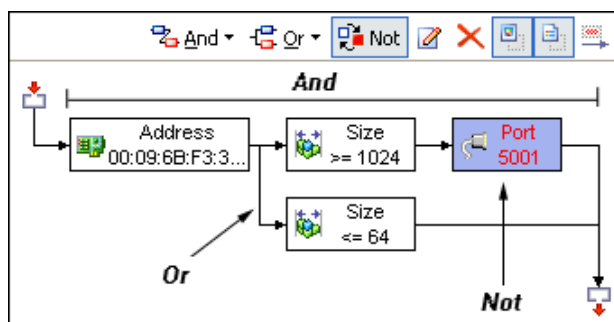
Graphs

Graphically display the statistic information of global network or specific network nodes, providing multiple charts and display options. The unique compare mode lets you view two different graphs simultaneously.



Graphic packet filter interface

Capsa graphically displays project filters, you can easily accept, reject a filter or change its status. The flexibility of Colasoft Capsa lets you accept some filters and at the same time reject some others: the packets matching the Accept filters will be analyzed and the packets matching the Reject filters will be discarded.



High Resolution Timestamp

Colasoft Capsa captures and decodes packets by using a high-resolution time stamp (microsecond).

Project-based Analysis

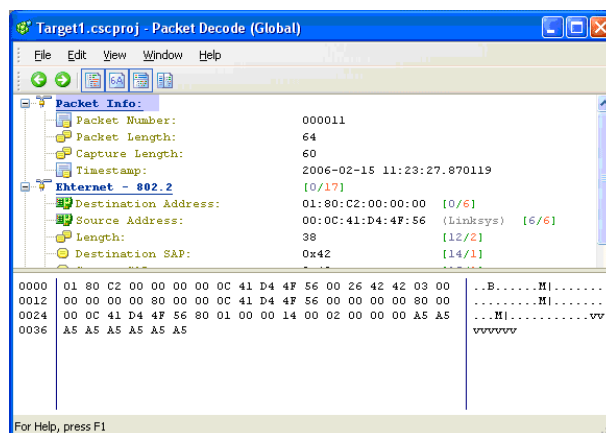
Colasoft Capsa captures network traffic and analyzes packets based on the project settings defined, each project has its own adapters, filters, analyzers and decoders.

Advanced Filters

In addition to make simple filters by address, port and protocol, the advanced filters in Colasoft Capsa also allow you to create packet value filters, packet size filters and packet pattern filters based on the logical rules of And, Or and Not.

Real-time Packet Decoding

Instantly decodes captured packets and displays detailed decode information in Hex, ASCII or EBCDIC format.



Summary Statistics

Colasoft Capsa provides general statistic information, including start date/time, physical errors, 802.3 errors, traffic, packet size distribution, and many other statistics analyzed by multiple analyzers.

Project 1\Summary							
Statistics							
Capture							
Physical Errors							
802.3 Errors							
Traffic							
Total Traffic	18.120 KB	148.440...	177	0.001%	64 Bps	512 bps	1
Broadcast Traffic Sent	3.185 KB	26.088 kb	27	0.000%	0 Bps	0 bps	0
Multicast Traffic Sent	0 B	0 b	0	0.000%	0 Bps	0 bps	0
Packet Size Distribution							
<=64	7.563 KB	61.952 kb	121	0.001%	64 Bps	512 bps	1
65-127	2.700 KB	22.120 kb	29	0.000%	0 Bps	0 bps	0
128-255	3.498 KB	28.656 kb	19	0.000%	0 Bps	0 bps	0
256-511	1.906 KB	15.616 kb	6	0.000%	0 Bps	0 bps	0
512-1023	0 B	0 b	0	0.000%	0 Bps	0 bps	0
1024-1517	2.453 KB	20.096 kb	2	0.000%	0 Bps	0 bps	0
>=1518	0 B	0 b	0	0.000%	0 Bps	0 bps	0
TCP Packets							
TCP SYN Packets	396 B	3.168 kb	6	0.000%	0 Bps	0 bps	0
TCP FIN Packets	256 B	2.048 kb	4	0.000%	0 Bps	0 bps	0

Analyzer

The Options - Analyzer dialog let users can enable or disable an advanced analyzer conveniently. When you close an analyzer in the this page, Colasoft Capsa will stop analyzing the corresponding protocol elements or displaying the analysis results in the associated views until you enable it again.

Logs

The logs in Colasoft Capsa can record global or scope-specific network events, containing four types of log primarily generated by the advanced analyzers: HTTP requests, email messages, FTP transfers and DNS analysis. This Log view also displays real-time activities of four instant messengers – MSN, AIM, ICQ and Yahoo Messenger.

Log files

Colasoft Capsa can generate single log file or split log files for the results analyzed by advanced analyzers.

MSDI interface

Provides multiple windows, enabling you to switch among multiple project views conveniently and easily.

Summary Snapshots

As a means to protect data, the summary snapshots represent the network state and are helpful for future network analysis.

Name Table

You can create alias for IP addresses, physical addresses or TCP-UDP ports, resolve IP addresses or host name, set color, and do many other operations in the name table.

Multiple projects capture

You can open multiple projects to capture packets on a single adapter simultaneously, or on different adapters separately.

Multiple Adapters Capture

It is available for Colasoft Capsa to capture network traffic on multiple adapters simultaneously.

Dial-up Adapters

In addition to Ethernet adapters, Colasoft Capsa also works on dial-up adapters.

Loopback IP Packets

Colasoft Capsa can capture the IP packets sent/received within the local host.

Accept Filters & Reject Filters

The flexible filters in Colasoft Capsa allow you accept some and at the same time reject some other filters.

Importing & Exporting Filters

The filters in Colasoft Capsa can be imported from a file, or exported to file for a future use.

Automatically saving packet files

After you enable the auto save feature and predefine a location in the Project Setting - General page, Colasoft Capsa will automatically save packets to a single file or split files.

Making Filters

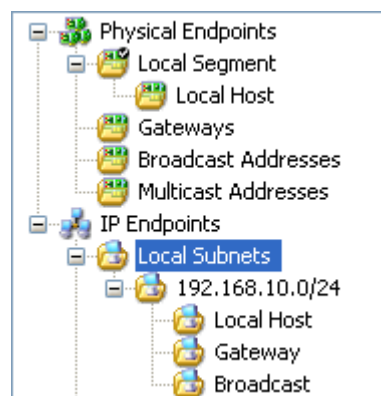
Filters can be made by the captured items from various tab views.

List Column Options

The list columns in tab views are available for customization, you can select the columns to show or change a column's position.

Auto-detecting Network Configuration

Colasoft Capsa can automatically detect your network configuration.



Packet Summary

Every captured packet can be summarized by IP protocols, TCP/UDP protocols or the available uppermost protocols.

Packet Comments

Every captured packet can be added with a comment and marked with a comment icon.

Highlighting packets

The packets selected can be highlighted, letting you easily recognize them among a mass of packets.

Hiding Packets

You can hide some undesired packets to get a clearer view.

Importing & Exporting Packets

Colasoft Capsa supports to import packets from and export packets to the files in .cpf (the previous version of Colasoft Capsa) .cscpkt (Colasoft Capsa 5.0), .cap (Sniffer packets), .pkt (EtherPeek / TokenPeek / AiroPeek) and .dmp (TCP DUMP) format.

Finding an item

With the new feature of Colasoft Capsa, now you can easily find a specific item in the Project Explorer dock window, Endpoints view, Protocols view, Packets view, Connections view, Stream view and Logs view.

Importing & Exporting Network Profile

Your network profile can be customized and exported, you may also import the network profile from a saved file.

Locating Explorer Nodes

IP nodes, physical nodes and protocol nodes can be located in the project explorer from a tab view, which lets you easily view more related information of the located node in other tab views.

Print and Print Preview

You can print the data selected and have a preview for the print effect before printing.

Selecting related packets

Related packets can be selected by address, port or protocol.

Statistics of Network Utilization

Colasoft Capsa offers the statistics of network utilization both in percentage and graphic way.

Command Line Parameters

Colasoft Capsa can be invoked by command line parameters.

Customizable Menubar & Toolbar

The menubar and toolbar can be customized, you can add or remove buttons and change the position of the toolbar.

About Colasoft

Colasoft is a professional software developer committed to provide network maintenance, management applications and solutions. Our mission is to provide corporate developers, networks administrators and IT professionals with high quality, cutting-edge technologies and products in order to improve the management of networks.

Ever since 2001, Colasoft has entered into the network analysis market. Colasoft designs software with the principles of efficiency and practicality and offers inexpensive, easy to operate software with powerful functions. Our mission is to develop ensure network security and stability. Colasoft network analysis solution can furthest fulfill customers needs and wants.

For more products' information, visit <http://www.colasoft.com/capsa/>

Colasoft Co., Ltd.

Headquarters:

Floor 10, Building 1, South Chengdu Hi-Tech Plaza,
3# West Fucheng Avenue, Hi-Tech Zone,
Chengdu 610041
P.R. China

Tel: +1 888-467-2634 (USA)
+86 28-8512-0922 (China)

Fax: +86 28-8512-0911